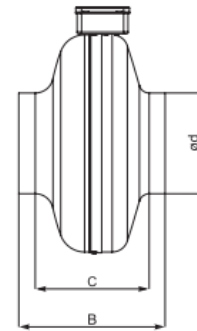
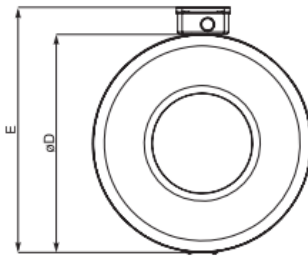


High pressure duct fan AKM



Product description

High pressure duct fan with AC-type motor for supply and exhaust ventilation of premises.

Construction	Casing: galvanized sheet steel Fan: centrifugal impeller and external rotor motor Motor protection class: IP44 Insulation class: class B Motor protection with built-in thermal-contact Ball bearing Terminal box protection class: IP55
Installation	Mounting with all type round ducts: sheet metal, flexible aluminium, plastic or fabric. Mounting bracket is included. Mounting positions: multiple Location: indoors Not suitable for polluted air or volatile and explosive gases
Power supply	230V-50Hz single phase
Temperature range	- 40°C to + 50°C
Sizes	100-315 mm
Speed control	All models are speed controllable

DIMENSIONS [mm]					
Type	B	C	D	d	E
AKM100	189	152	244	100	287
AKM125	182	143	243	125	286
AKM160	217	166	344	160	387
AKM200	231	179	344	200	387
AKM250	230	167	344	250	387
AKM315	256	188	402	315	444

High pressure duct fan AKM

Technical data

Type	AKM100	AKM125	AKM160	AKM200	AKM250	AKM315
Voltage [V-Hz]	230-50	230-50	230-50	230-50	230-50	230-50
Power [W]	74	74	103	140	140	278
Current [A]	0,31	0,31	0,50	0,60	0,60	1,20
Capacitor [μ F]	2	2	2	4	4	5
Air flow [m ³ /h]	379	421	866	1007	967	1448
Speed [rpm]	2800	2800	2796	2659	2659	2762
Weight [kg]	3	3	4	4,7	4,7	6
Air temperature min/max [°C]	-40/+50	-40/+50	-40/+50	-40/+50	-40/+50	-40/+50
Motor protection class	IP44	IP44	IP44	IP44	IP44	IP44
Terminal box protection class	IP55	IP55	IP55	IP55	IP55	IP55

Ecodesign data

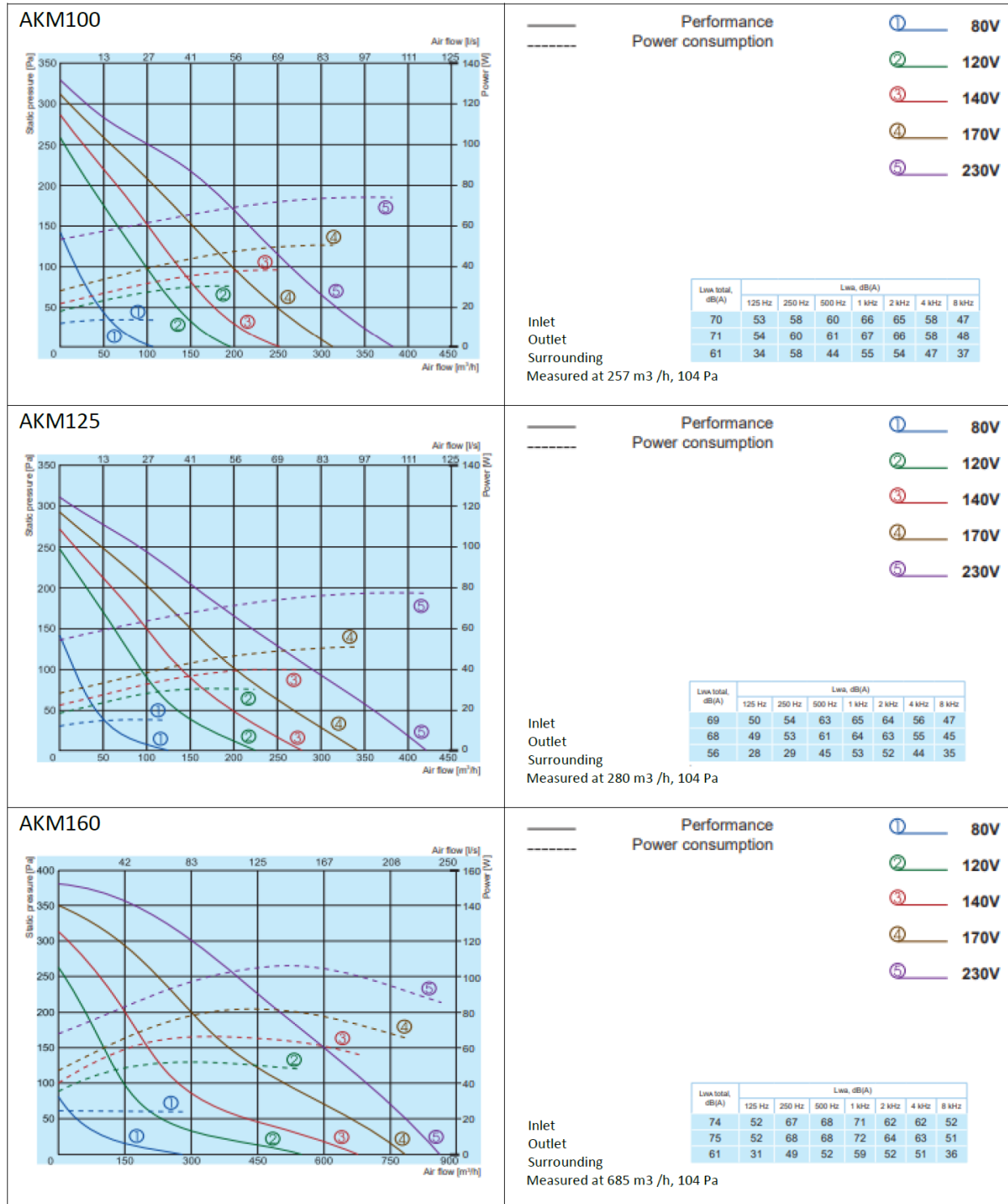
Type	AKM100	AKM125	AKM160	AKM200	AKM250	AKM315
Classification**	RVU	RVU	RVU	NRVU	NRVU	NRVU
Energy efficiency class [local demand control]	C	C	B	-	-	-
Sound power level [dB(A)]	58	54	57	56	54	53
Reference flow rate at 50 Pa [m ³ /h]	182	200	483	-	-	-
SPI [W/(m ³ /h)]	0,20	0,19	0,12	-	-	-
Nominal flow rate [m ³ /s]	-	-	-	0,15	0,16	0,29
Nominal external pressure [Pa]	-	-	-	312	288	318
Static efficiency of fans used in accordance with Regulation No 327/2011 [%]	-	-	-	34,7	34,4	37,7
Comply with ERP 2018	✓*	✓*	✓*	✓	✓	✓

*unit with local demand control complies with ERP 2018 requirements.

**RVU - residential ventilation unit.

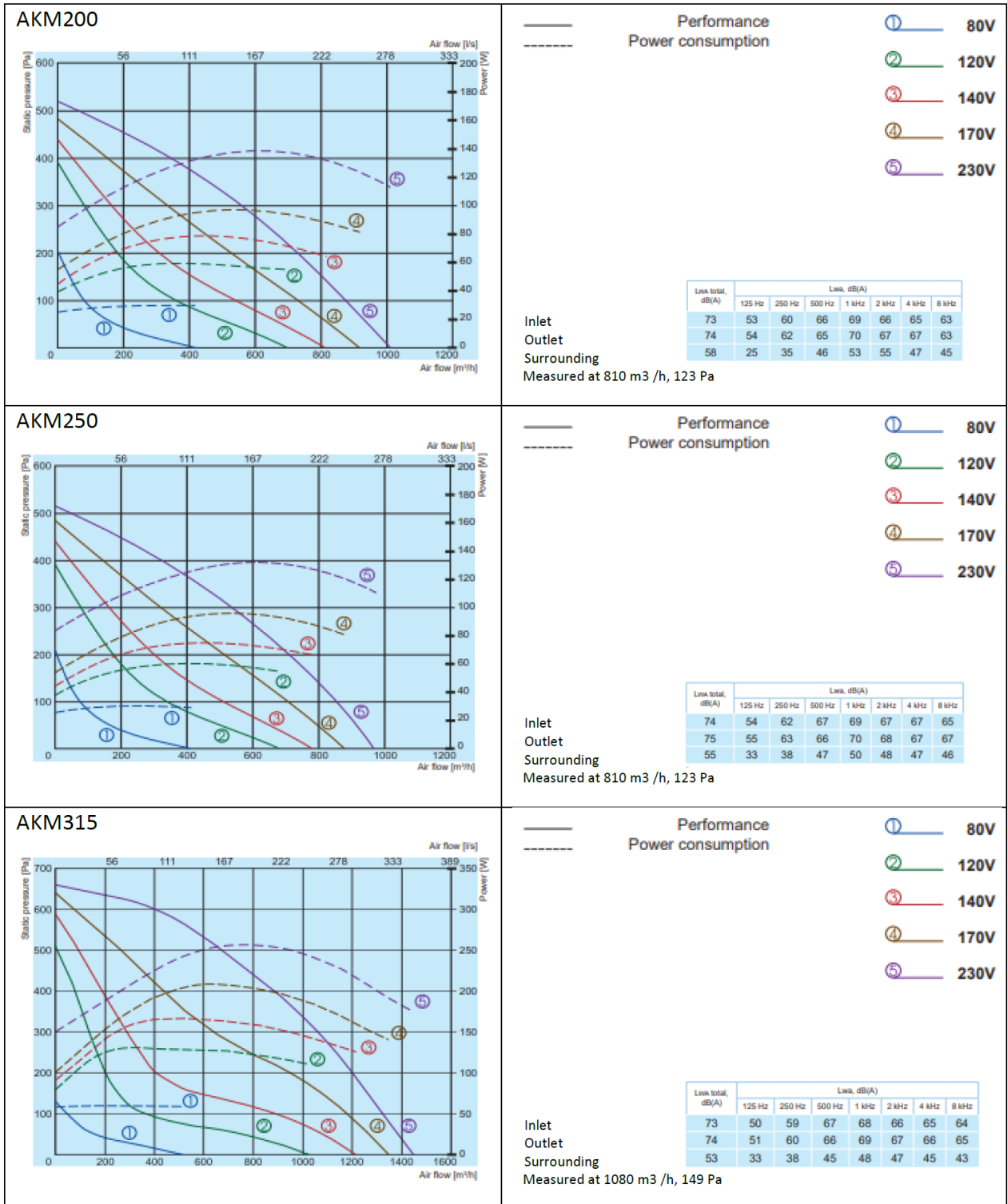
**NRVU - non-residential ventilation unit.

High pressure duct fan AKM

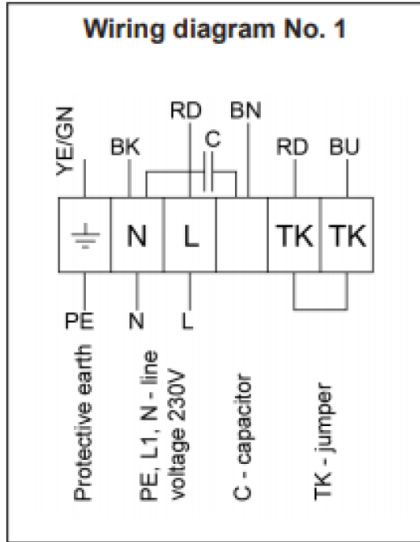


The fan characteristic curves were determined in accordance with EN ISO 5801. The sound levels were determined in accordance with DIN 45635 resp. ISO 3744 at a distance of 1 m from the fan.

High pressure duct fan AKM



High pressure duct fan AKM



YE/GN - yellow/green

BK - black

RD - red

BN - brown

BU - blue